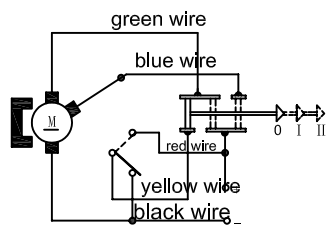
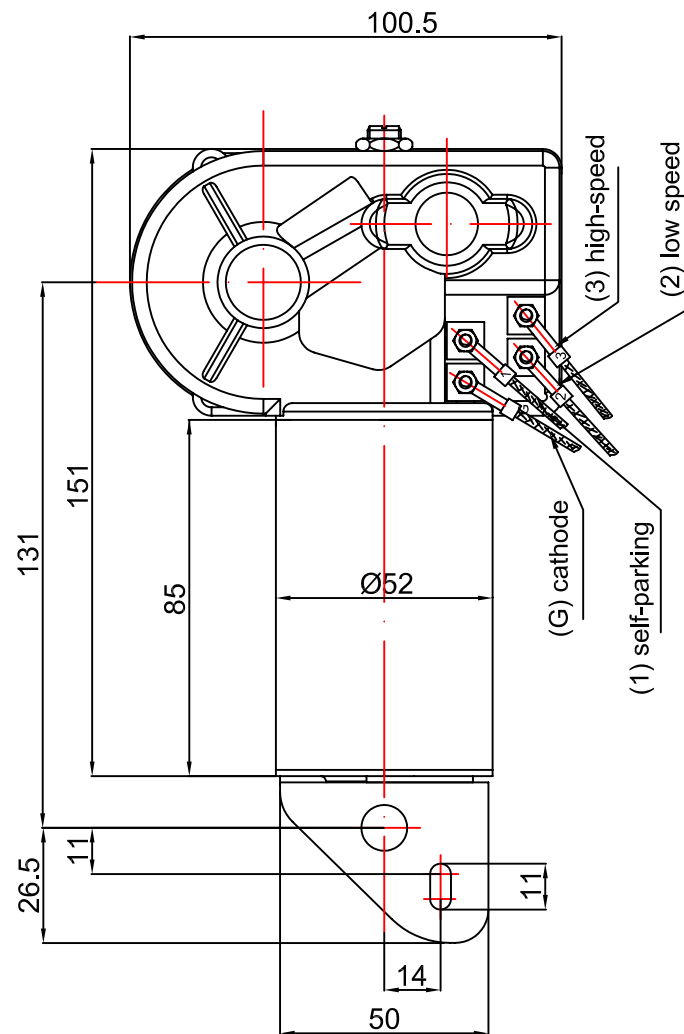
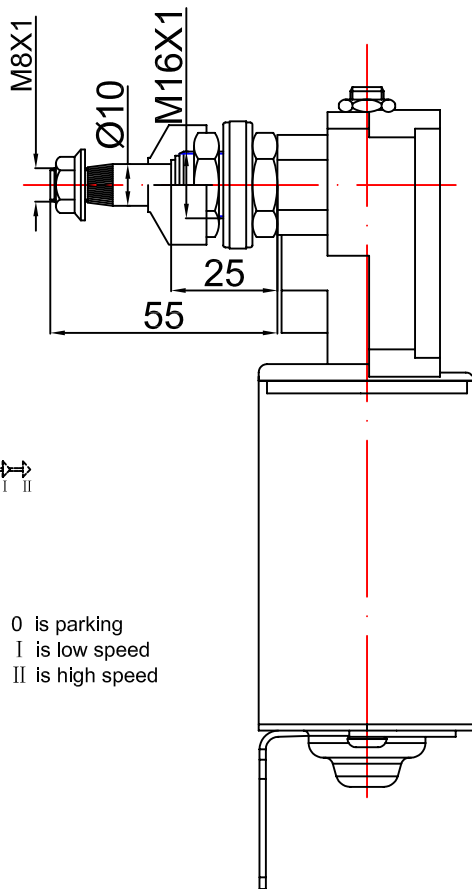


circuit diagram

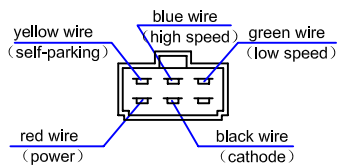


note: 0 is parking  
I is low speed  
II is high speed



item	basic data	
voltage	24V	
test voltage	27V	
brake torque	9N.m	
working torque	2N.m	
noise	less than 53dB(A)	
no-load speed	low	35± 4r/min
	high	50± 5r/min
no-load current	low	≤ 1A
	high	≤ 1.5A
working speed	low	32± 3r/min
	high	46± 4r/min
working current	low	≤ 1.5A
	high	≤ 2.5A

motor socket (model: DJ7061-6.3-11)



借(通)用件登记  
描 图  
描 校  
旧底图总号  
底图总号  
签 字  
日 期



Motor no: ZD1233AA 12V  
ZD2233AA 24V