

# MARINE MOUNTS

## DESCRIPTION

The allpa Marine-type mounts are ideal for mobile applications thanks to their rugged architecture.

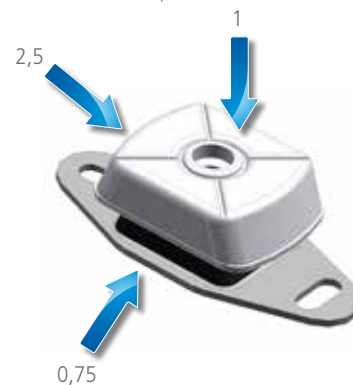
Their special design offers different stiffnesses on the three axes, they are antivibration mounts with great vertical elasticity, great longitudinal stiffness and optimal lateral stiffness to offer extra isolation on this axis.

## TECHNICAL CHARACTERISTICS

- The top part of the hood has a cross-shaped stamp, which improves its stiffness in mobile applications and also improves the evacuation of oils or liquid which splash onto it.
- The metal parts have an anticorrosive treatment which is suitable for outdoor applications. RoHs compliant.
- The mounts are clearly identified, as the bases are engraved with the type and hardness.
- They have an interlocking metal component that provides a fail-safe protection for mobile applications. This device limits the ascending vertical movement when the mounting is submitted to shocks at traction.
- The top part protects the elastomer inside from possible dripping oil, diesel, ozone and ultraviolet emissions that may cause major damage to the rubber.
- The different stiffnesses for each axis make it possible to offer major flexibility in the direction perpendicular to the crankshaft/shaft of the motor. This provides more effective isolation from vibrations of all types of engines.



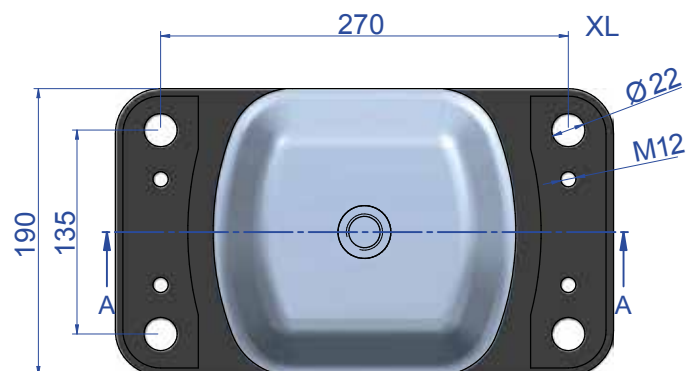
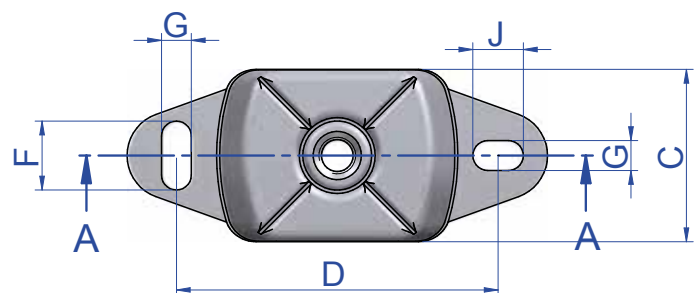
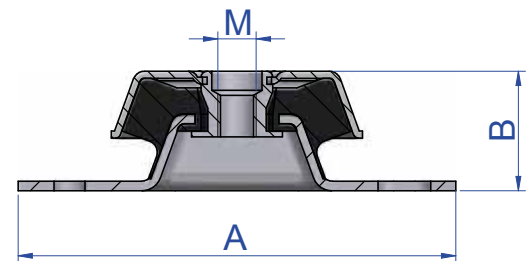
Stiffness rates per axis.



## APPLICATIONS

In mobile rotating machines that need a major isolation capacity from vibrations and noises, such as:

- Pumps
- Marine-Land units
- Mobile electrical panels
- Industrial vehicles
- Compressors
- Ventilators
- Marine Propellers



Drawing Marine XL

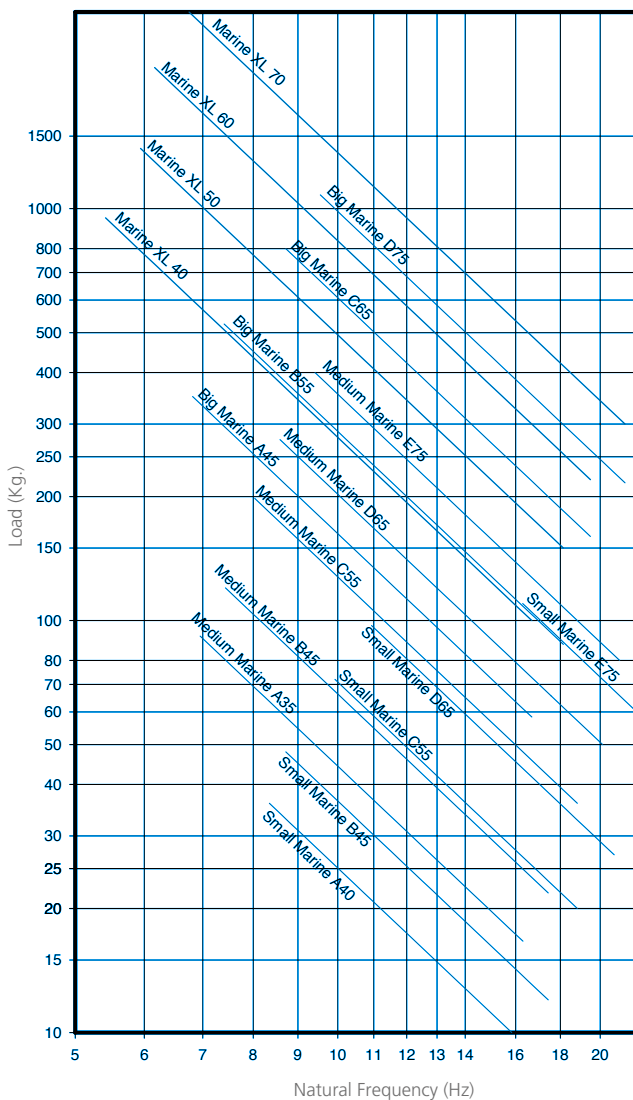
DNV Marine Type approval



# MARINE TYPE MOUNT

Type	A (mm.)	B (mm.)	C (mm.)	D (mm.)	F (mm.)	G (mm.)	J (mm.)	M	Weight (gr.)	Code	Load (Kg.)	Shore
SMALL	120	38,5	60	100	14	11	11	M12	397	063040/S	35	40 Sh
										063045/S	45	45 Sh
										063055/S	70	55 Sh
										063065/S	95	65 Sh
										063-----	110	75 Sh
MEDIUM	183	50	75	140	30	13	22	M16	857	063235/S	95	35 Sh
										063245/S	120	45 Sh
										063255/S	220	55 Sh
										063265/S	280	65 Sh
										063275/S	400	75 Sh
LARGE	228	68	112	182	34	18	26	M20	2250	063345/S	350	45 Sh
										063355/S	525	55 Sh
										063365/S	800	65 Sh
										063-----	1080	75 Sh
XL	330	112	190	270	22	22	22	M24	9600	063-----	950	40 Sh
										063-----	1400	50 Sh
										063-----	2200	60 Sh
										063-----	3000	70 Sh

NATURAL FREQUENCY  
DYNAMIC MARINE MOUNT



LOAD DEFLECTION GRAPH  
MARINE TYPE MOUNT

