

LIGHT DUTY STEERING - International Only

FEATURES

- Comfortable 2.5 turns from lock-to-lock
- Standard 3/4" tapered steering shaft
- Uses SSC131XX steering cables
- Cables available in 1 foot increments

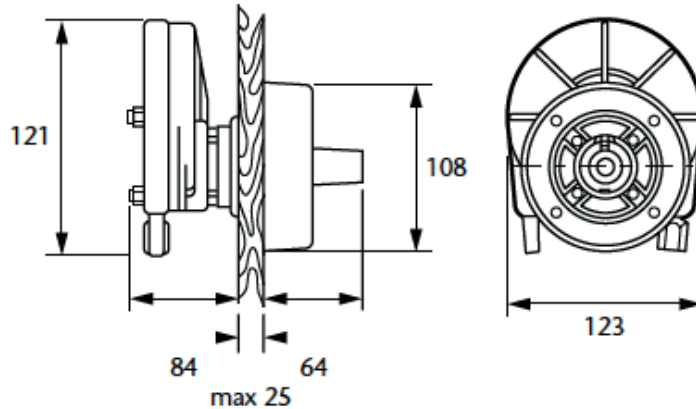


Suits outboard engines up to 53 HP supplied complete with 90° bezel to suit most applications. Available as a complete "system in a box" or a separate components.

ORDER INFORMATION

LIGHT DUTY STEERING	PART No.
Light duty helm and bezel	SH8050P
Steering cable (black)	SSC131XX

TECHNICAL DATA



Issue Date - June 2014

Issue Number - ms14int



Learn More



www.seastarsolutions.com

